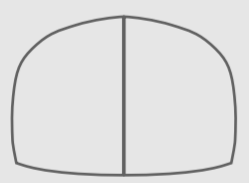
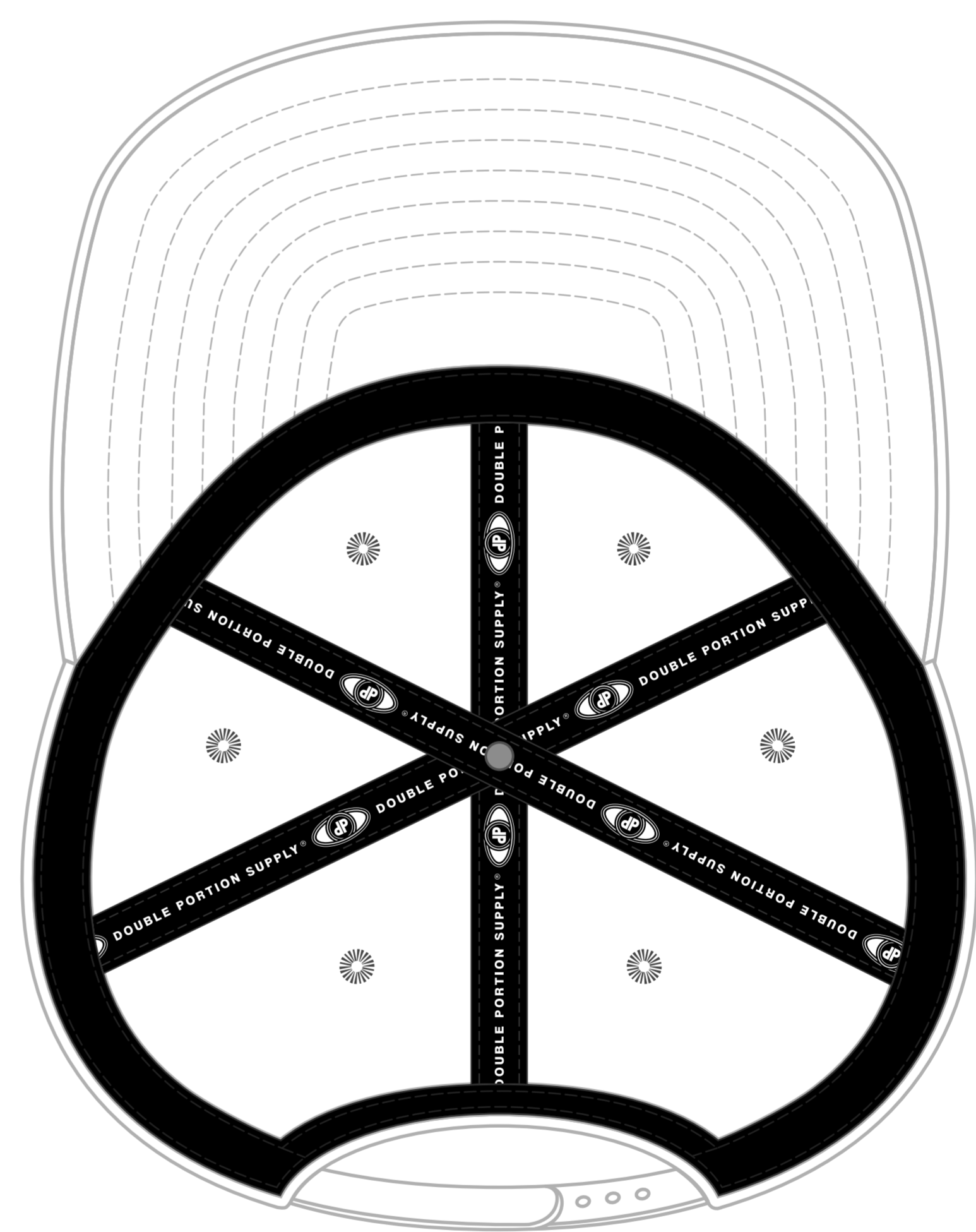
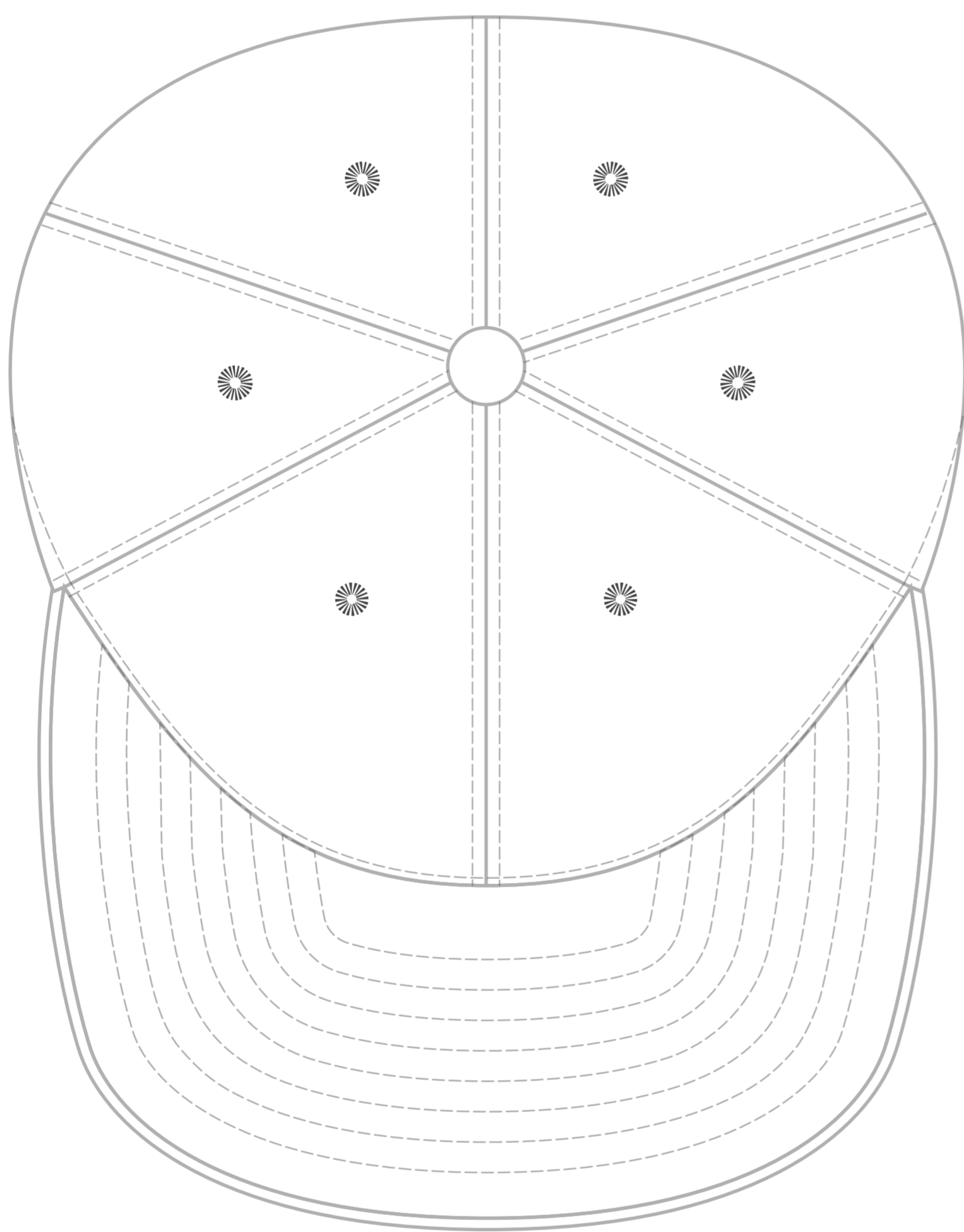
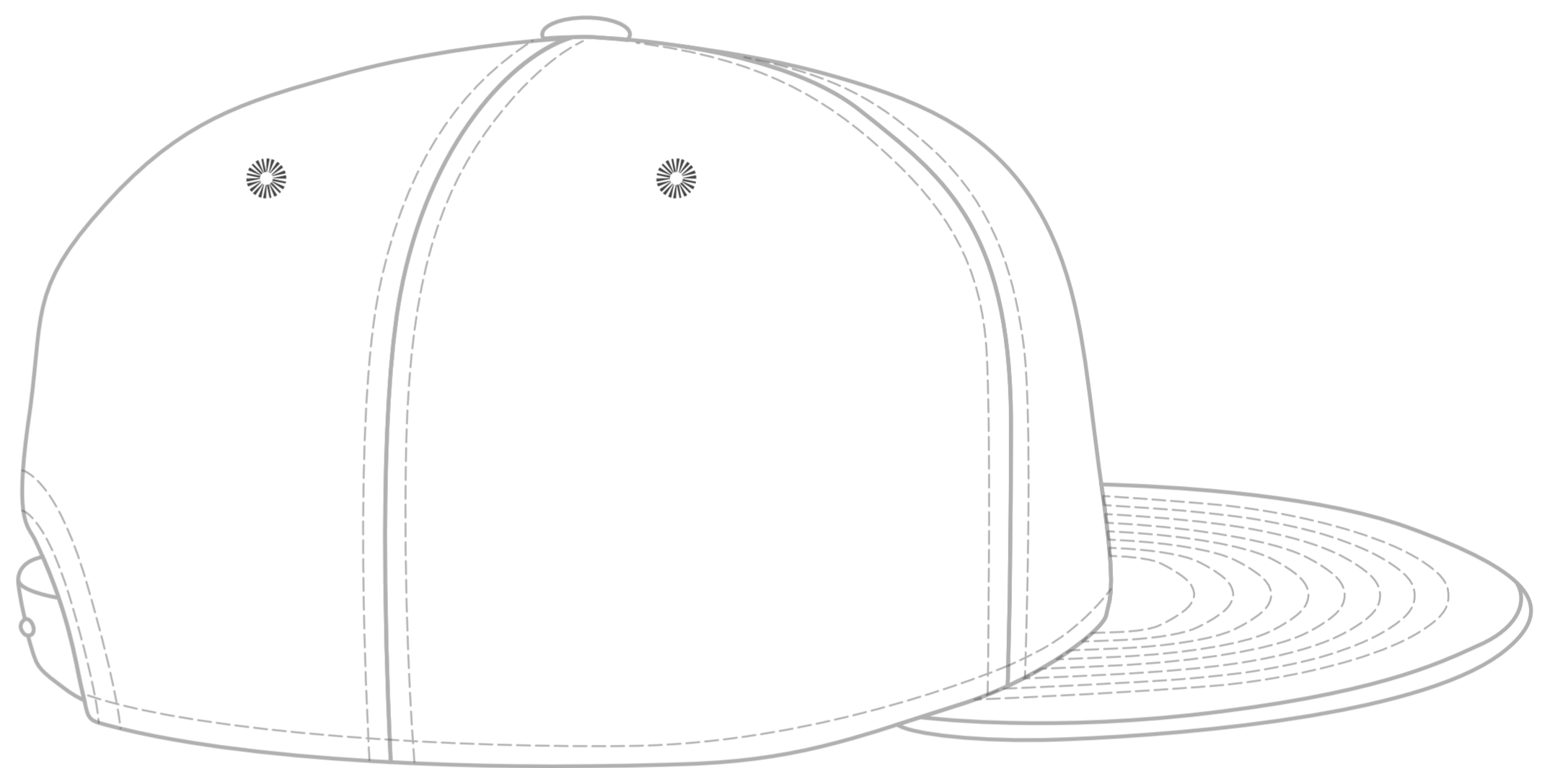
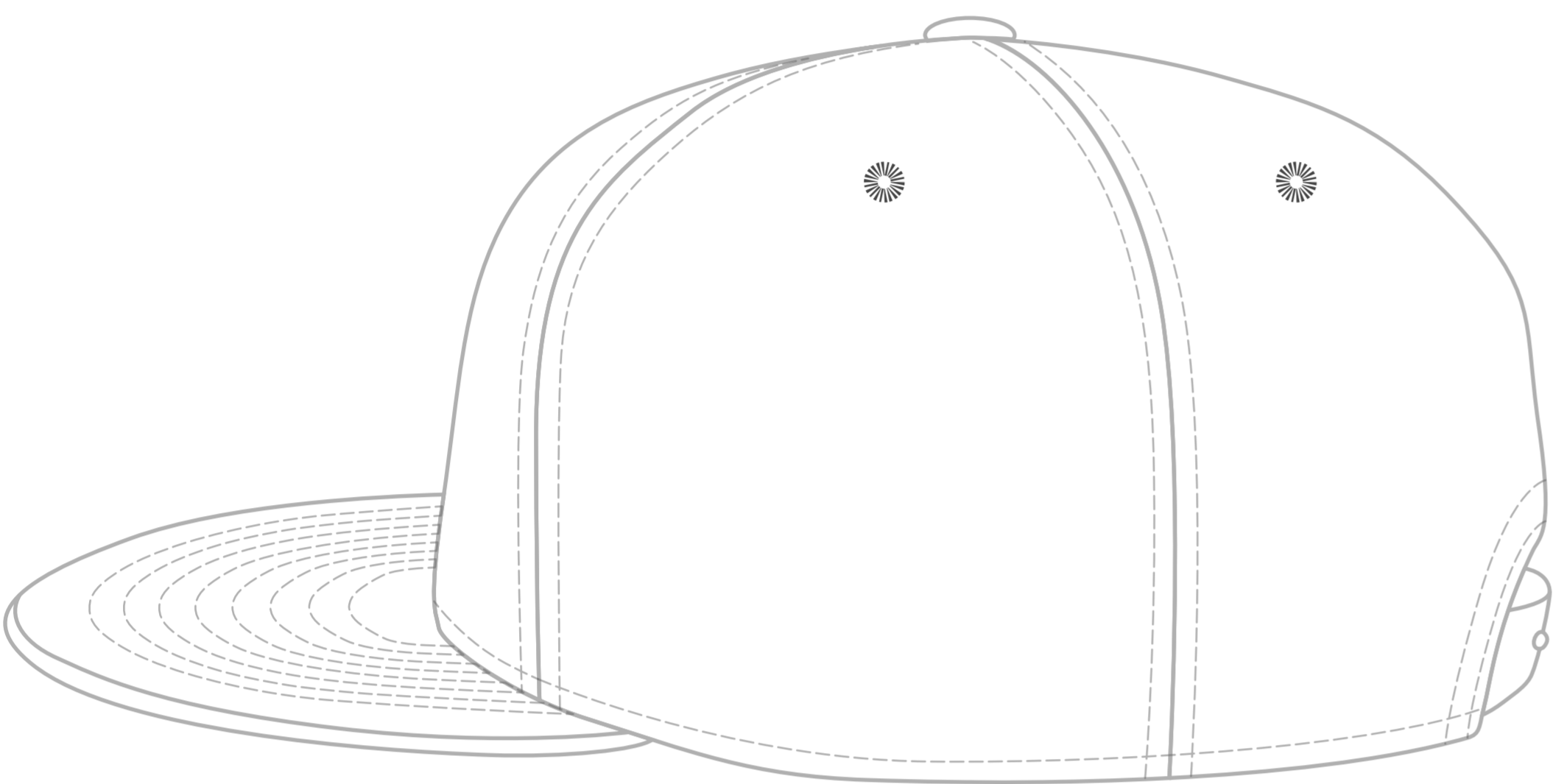
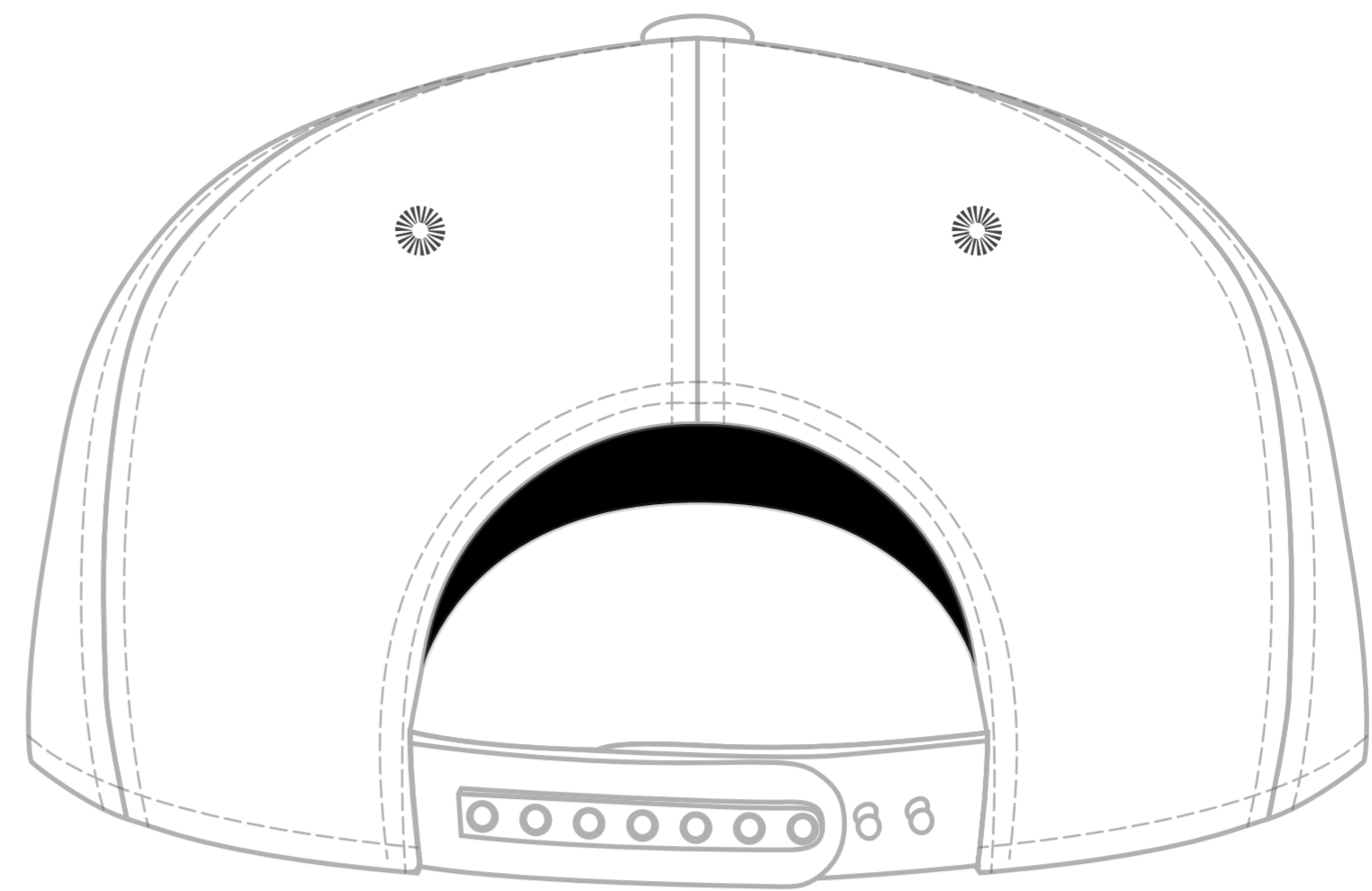
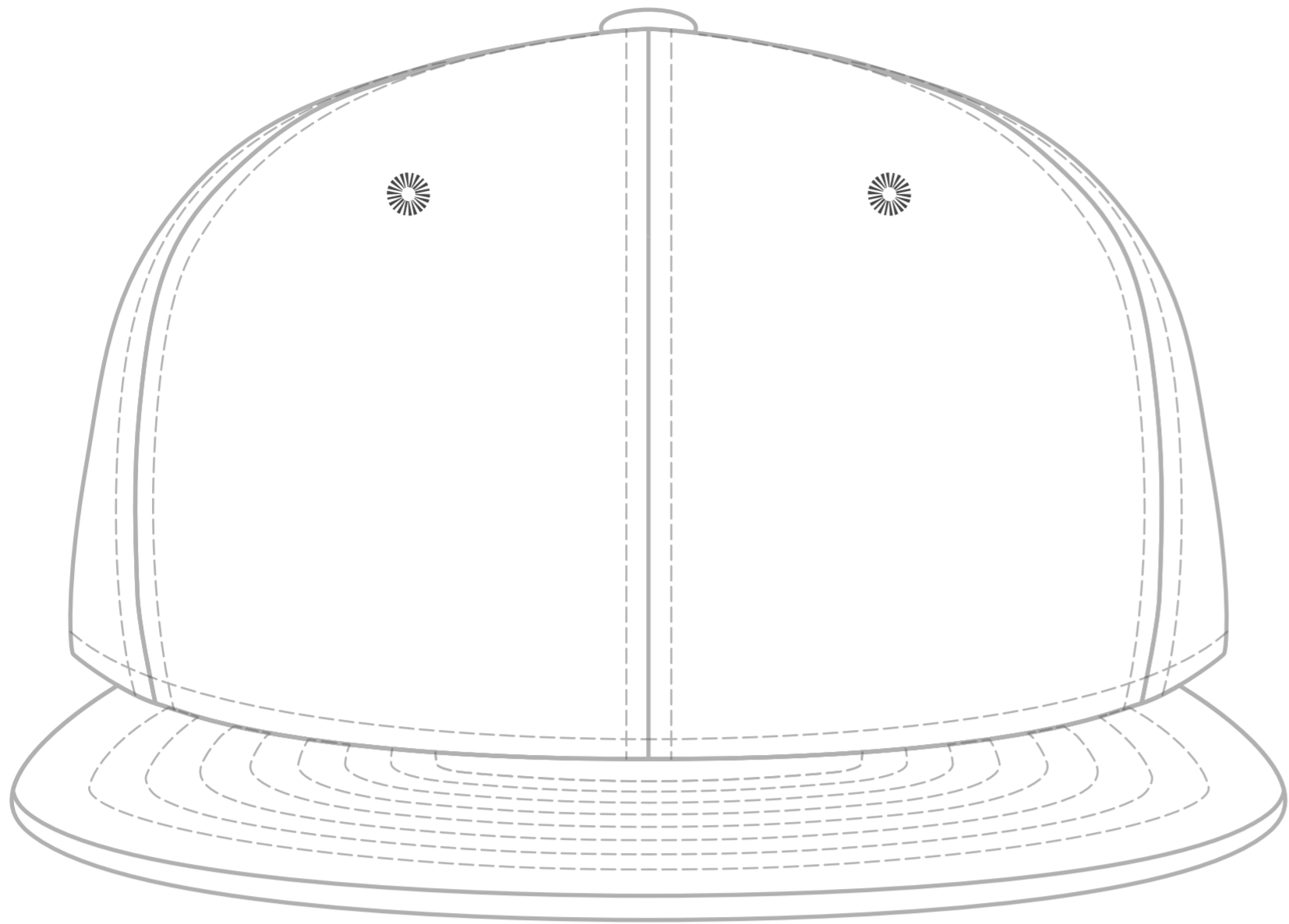




CUSTOM HAT
6 PANEL SNAPBACK FLATBILL
BLANK (NO EMBROIDERY)
"NAME"



FRONT PANELS =



FRONT STITCHING =



FRONT EYELETS =



SIDE AND BACK PANELS =



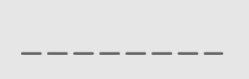
SIDE AND BACK STITCHING =



SIDE AND BACK EYELETS =



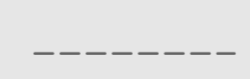
TOP BILL =



TOP BILL STITCHING =



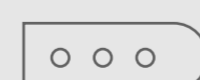
BOTTOM BILL =



BOTTOM BILL STITCHING =



TOP BUTTON =



ADJUSTABLE SNAP =



**HAT TAPING = DOUBLE PORTION SUPPLY.
CAN CHANGE FOR FEE**



**WOVEN LABEL
DOUBLE PORTION SUPPLY
CAN CHANGE FOR FEE**